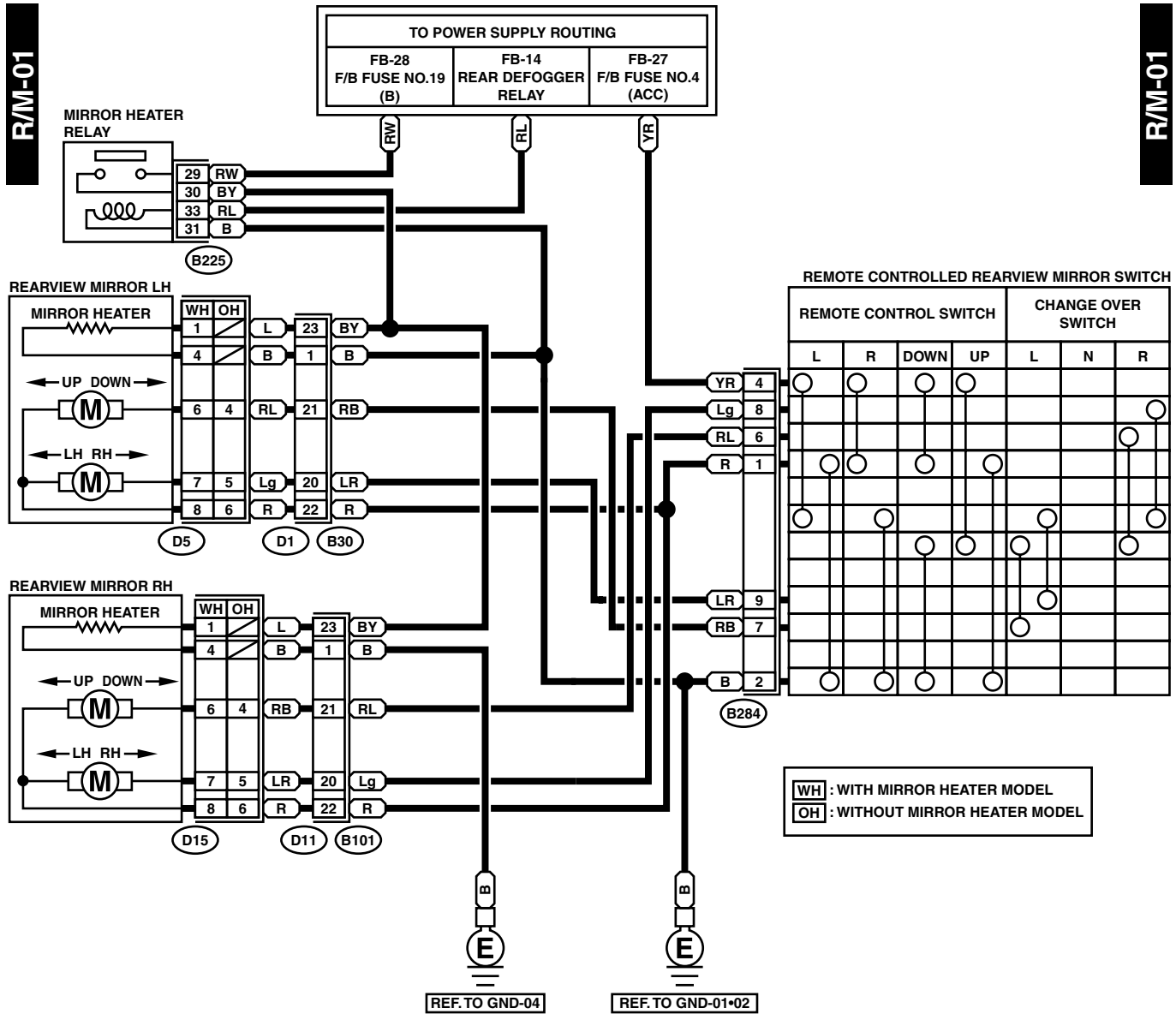


REMOTE CONTROLLED REARVIEW MIRROR SYSTEM

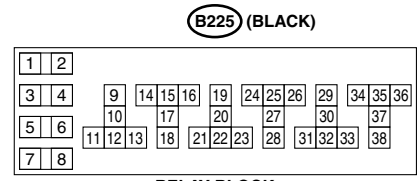
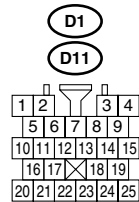
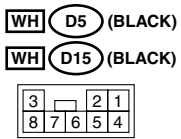
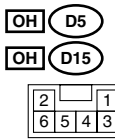
WIRING SYSTEM

38.Remote Controlled Rearview Mirror System

A: SCHEMATIC



WH : WITH MIRROR HEATER MODEL
OH : WITHOUT MIRROR HEATER MODEL



RELAY BLOCK

WI-02545